

주의: 제품을 작동하기 전 반드시 매뉴얼의 내용을 읽어보십시오.

- 실제 제품의 색상과 카달로그 제품의 색상은 다소 다를 수 있습니다.
- 모니터 화면과 실제 제품의 화면은 색상이 다소 다를 수 있습니다.
- 본 카달로그에 포함된 내용은 사전 예고 없이 내용이 변경될 수 있습니다.
- 본 카달로그에 사용된 모든 제품의 이름은 각 회사의 등록 상표입니다.
- Microsoft Windows, Windows 로고와 본 카달로그에 참조된 기타 Microsoft 제품은 미국과 각 나라 Microsoft사의 등록 상표입니다.

TOP RX 시리즈



**NEW
SERIES**

(주)엠투아이

본사

경기도 안양시 만안구 전파로24번길 35-11 (14086)
35-11, Jeonpa-ro 24beon-gil, Manan-gu, Anyang-si, Gyeonggi-do, 14086, Korea
Tel : 82-31-465-3366 Fax : 82-31-465-3355

남부영업소

대구광역시 북구 유통단지 50 (산격동) 크리스탈 B/D 402호 (41518)
50, Yutongdanji-ro Buk-gu Daegu, Crystal B/D 402 ho, 41518, Korea
Tel : 82-53-604-6166 Fax : 82-53-604-6167

V1.7K(180305)

TOP

M2 Corporation
Man · Machine · Interface

RX SERIES / RW SERIES / RH SERIES / PPC / VIEW



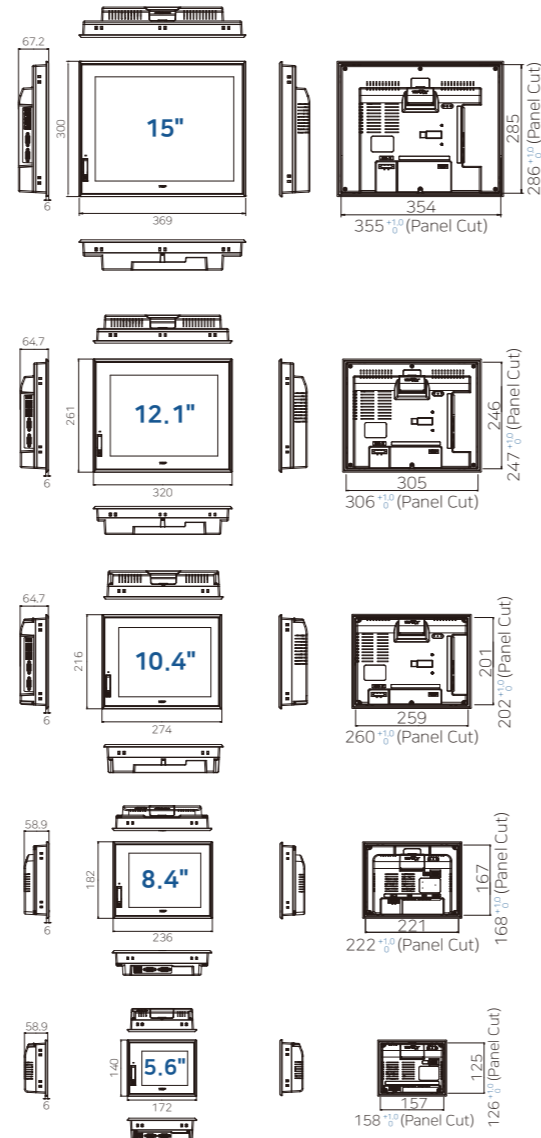
쿼드코어를 채택한 최상급의 속도
TOPR 시리즈의 성능과 XTOP 시리즈의 경제성의 조화

판매중

세련된 일체형 바디
업계 최초 Quad Core CPU 채택
서로 다른 네트워크를 지원하는 2포트의 Ethernet(10" 이상)
연결 가능한 제어기(PLC) 인터페이스 최다 보유
전면 OTG USB 탑재

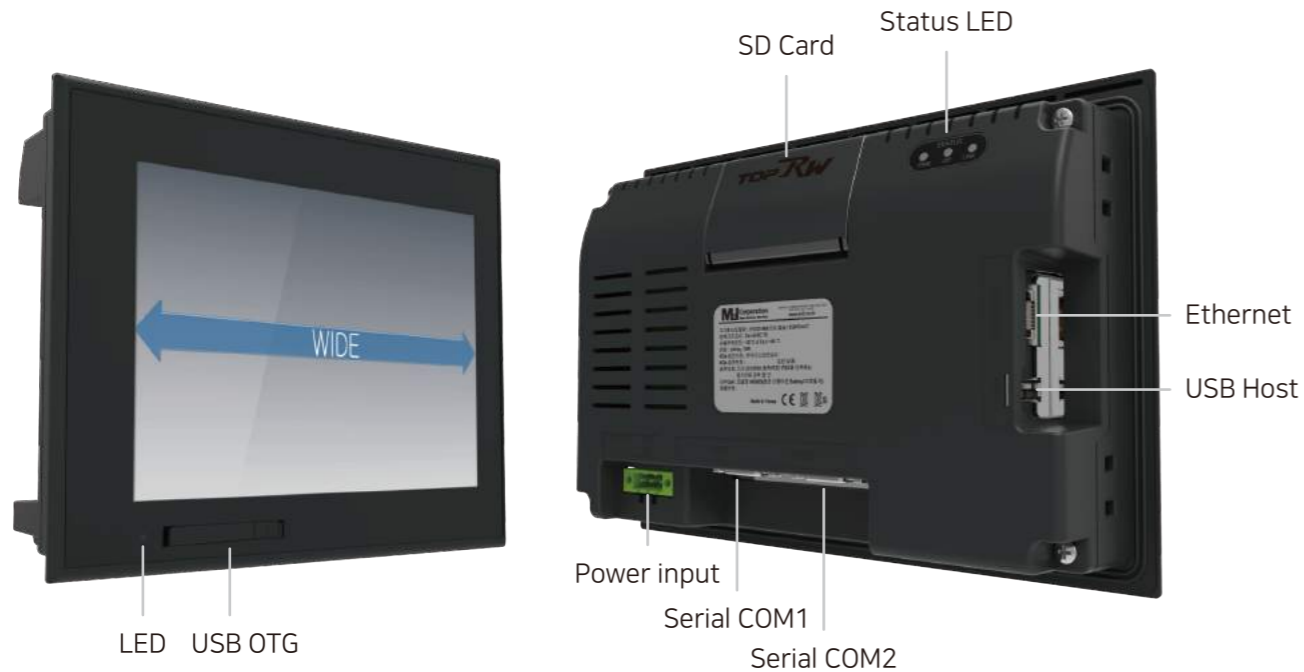
VNC(원격감시제어), FTP(원격데이터교환) 지원
오브젝트(도형, 태그)의 다층구조(Layer) 지원
한 화면에서 여러 화면을 동시 감시(멀티 화면) 가능

	1024x768	800x600	640x480
15"	TOPRX1500XD		
12.1"	TOPRX1200XD	TOPRX1200SD	
10.4"		TOPRX1000SD	TOPRX1000VD
8.4"		TOPRX0800SD	TOPRX0800VD
5.6"			TOPRX0500VD



Specifications

Functional	TOPRX1500XD	TOPRX1200XD	TOPRX1200SD	TOPRX1000SD	TOPRX1000VD	TOPRX0800SD	TOPRX0800VD	TOPRX0500VD	
Display	Display Type	15" TFT Color	12.1" TFT Color	12.1" TFT Color	10.4" TFT Color	10.4" TFT Color	8.4" TFT Color	8.4" TFT Color	5.6" TFT Color
	Color	16M Colors							
	Display Area(mm)	304.1x228.1	246x184.5	246x184.5	211.2x158.4	211.2x158.4	170.4x127.8	170.4x127.8	112.9x84.7
	Resolution(dot)	1024x768	1024x768	800x600	800x600	640x480	800x600	640x480	640x480
	Brightness Level	10 Level(by software)							
	Backlight Type	LED							
	Backlight Life	50,000 hours							
Touch	Touch Type	Analog resistive film							
	Resolution(cell)	1024x768	1024x768	800x600	800x600	640x480	800x600	640x480	640x480
	Touch Life	1 million times or more							
Interface	Serial COM1	<ul style="list-style-type: none"> RS-232C, RS-422/485 Asynchronous +5V PWR Data bit: 7/8 bits, Stop bit: 1/2 bits, Parity bit: None/Odd/Even Baud rate: 2400~115.2kbps Connector: DSUB 9pin 1 Channel 							
	Serial COM2	<ul style="list-style-type: none"> RS-232C, RS-422/485 Asynchronous Data bit: 7/8 bits, Stop bit: 1/2 bits, Parity bit: None/Odd/Even Baud rate: 2400~115.2kbps Connector: DSUB 9pin 1 Channel 							
	Serial COM3	<ul style="list-style-type: none"> RS-485 Asynchronous Data bit: 7/8 bits, Stop bit: 1/2 bits, Parity bit: None/Odd/Even Baud rate: 2400~115.2kbps Connector: 3.5mm 3pin 1 Channel 							
	Ethernet Channel	<ul style="list-style-type: none"> 2 Channel IEEE802.3i/IEEE802.3u, 10BASE-T/100BASE-TX, Support Separated Network Connector: RJ-45 x 2 						<ul style="list-style-type: none"> 1 Channel IEEE802.3i/IEEE802.3u, 10BASE-T/100BASE-TX Connector: RJ-45 x 1 	
	Option Modules	Fieldbus(EtherCAT, CANopen)							
	USB Device	V2.0 Compatible 1 Channel, Max 5m, OTG							
	USB Host	<ul style="list-style-type: none"> 1 Rear Channel USB 2.0: USB Storage(FAT16/FAT32), Output 5V/0.5A 1 Front OTG Host USB 2.0 Support USB Barcode Scanner(Standard Keyboard Protocol) 							
Memory & Others	SD Card	1 Channel Micro SD, SDHC(MAX 32GB)							
	Printer	Almost USB interface Printers							
	Screen Memory	128MB							
	Backup Memory	512KB: System buffer(10K Word), Including Alarm/Logging/Recipe							
	Backup Period	Permanent							
	Real Time Clock	Built in							
	Status LED	3 LEDs(Power, Operation, Link) Built in							
Power	Input Voltage	DC24V(20~28V)							
	Power Consumption	20W or less						15W or less	
	Voltage Sag	24V, Within 10ms							
Environment	Insulation Resistance	500V DC, 10MΩ							
	Operation Temperature(°C)	-10 ~ +50							
	Storage Temperature(°C)	-20 ~ +60							
	Operation Humidity(%RH)	0 ~ 90(No dew)							
	Atmosphere	No corrosive gas							
	Vibration Endurance	Amplitude: 10≤F<25Hz(2G) X,Y,Z each direction(for 30 minutes)							
	Noise Immunity	1000Vp-p(Pulse width 1μs)							
	Static Electricity Discharge	Connective discharge from EN61000-4-2: ±4kV							
	Shock Endurance	10G X,Y,Z each direction(for 3 times)							
	Shock Voltage	500V(Line-Line)							
	Ground Connection	Class 3(100Ω under)							
Structure	Protection Classification	IP65(Front)							
	Panel Cut(mm)	355x286	306x247	306x247	260x202	260x202	222x168	222x168	158x126
	External Dimension(mm)	369x300x67.2	320x261x64.7	320x261x64.7	274x216x64.7	274x216x64.7	236x182x58.9	236x182x58.9	172x140x58.9
	Weight(kg)	2.78	2.18	2.18	1.68	1.68	1.06	1.06	0.62
	Cooling System	Natural air circulation							
Case Material	PC(Resistance to flame)								



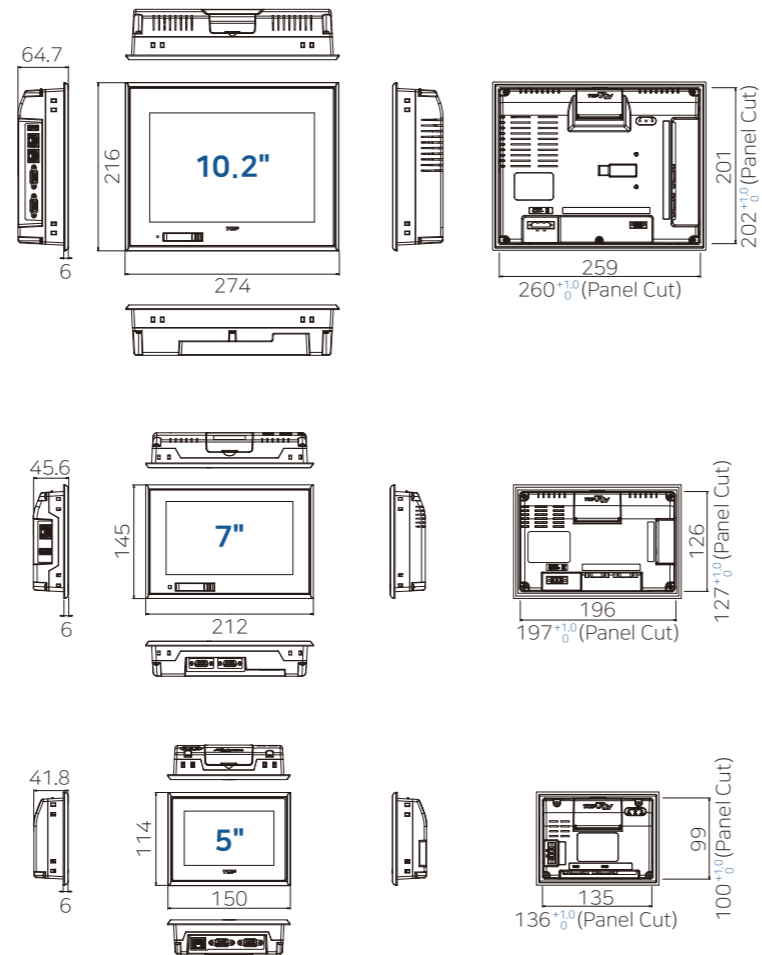
베스트셀러 XTOP WIDE 시리즈의 명성에 이어
최상급의 성능과 합리적인 가격을 갖춘 새로운 RW 시리즈



쿼드 코어를 채택한 최상급의 속도 지원
화려한 1,677만 컬러 지원
10", 7", 5" 사이즈 모두 800x480 고해상도 지원

세련된 일체형 디자인
원격 감시 제어 VNC 기능 지원(Mobile/Tablet/Laptop)
원격 데이터 교환 FTP 기능 지원
오브젝트의 다층구조(Layer) 지원

	800x480
10.2"	<p>TOPRW1000WD</p>
7"	<p>TOPRW0700WD</p>
5"	<p>TOPRW0500WD</p>



Specifications

Functional	TOPRW1000WD	TOPRW0700WD	TOPRW0500WD	
Display	Display Type	10.2" TFT Color	7" TFT Color	5" TFT Color
	Color		16M Colors	
	Display Area(mm)	222x132.48	154x86	108x64.8
	Resolution(dot)		800x480	
	Brightness Level		10 Level(by software)	
	Backlight Type		LED	
Touch	Touch Type		Analog resistive film	
	Resolution(Cell)		800x480	
	Touch Life		1 million times or more	
Interface	Serial COM1	<ul style="list-style-type: none"> RS-232C Asynchronous +5V PWR Data bit: 7/8 bits, Stop bit: 1/2 bits, Parity bit: None/Odd/Even Baud rate: 2400~115.2k Connector: DSUB 9pin 1 Channel 		
	Serial COM2	<ul style="list-style-type: none"> RS-232C, RS-422/485 Asynchronous Data bit: 7/8 bits, Stop bit: 1/2 bits, Parity bit: None/Odd/Even Baud rate: 2400~115.2k Connector: DSUB 9pin 1 Channel 		
	Ethernet Channel	<ul style="list-style-type: none"> 1 Channel IEEE802.3i/IEEE802.3u, 10BASE-T/100BASE-TX Connector: RJ-45 x 1 		
	USB Host	<ul style="list-style-type: none"> 1 Rear Channel USB 2.0: USB Storage(FAT16/FAT32), Output 5V/0.5A 1 Front OTG Host USB 2.0 Support USB Barcode Scanner(Standard Keyboard Protocol) 	<ul style="list-style-type: none"> 1 Rear USB OTG V2.0 Support USB Barcode Scanner (Standard Keyboard Protocol) 	
	USB Device	V2.0 Compatible 1 Channel, Max 5m, OTG(Front)		V2.0 Compatible 1 Channel, Max 5m, OTG(Rear)
	SD Card	1 Channel Micro SD, SDHC(MAX 32GB)		
Memory & Others	Printer	Almost USB interface Printers, Roll Printer(EPSON protocol): RS-232C, COM1 port		
	Screen Memory	128MB		
	Backup Memory	512KB: System buffer(10K Word), Including Alarm/Logging/Recipe		
	Backup Period	Permanent		
	Real Time Clock	Built in		
	Status LED	Built in		
Power	Input Voltage	DC24V(20~28V)		
	Power Consumption	15W or less		
	Voltage Sag	24V, Within 10ms		
Environment	Insulation Resistance	500V DC, 10MΩ		
	Operation Temperature(°C)	-10 ~ +50		
	Storage Temperature(°C)	-20 ~ +60		
	Operation Humidity(%RH)	0 ~ 90(No dew)		
	Atmosphere	No corrosive gas		
	Vibration Endurance	Amplitude: 10≤F<25Hz(2G) X,Y,Z each direction(for 30 minutes)		
	Noise Immunity	1000Vp-p(Pulse width 1μs)		
	Static Electricity Discharge	Connective discharge from EN61000-4-2: ±4kV		
	Shock Endurance	10G X,Y,Z each direction(for 3 times)		
	Surge Voltage	500V(Line-Line)		
Structure	Ground Connection	Class 3(100Ω under)		
	Protection Classification	IP65(Front)		
	Panel Cut(mm)	260x202	197x127	136x100
	External Dimension(mm)	274x216x64.7	211x143x43.8	150x114x41.8
Weight(kg)	1.7	0.72	0.4	
Cooling System	Natural air circulation			
Case Material	PC(Resistance to flame)			

* 제품의 사양은 변경될 수 있습니다.



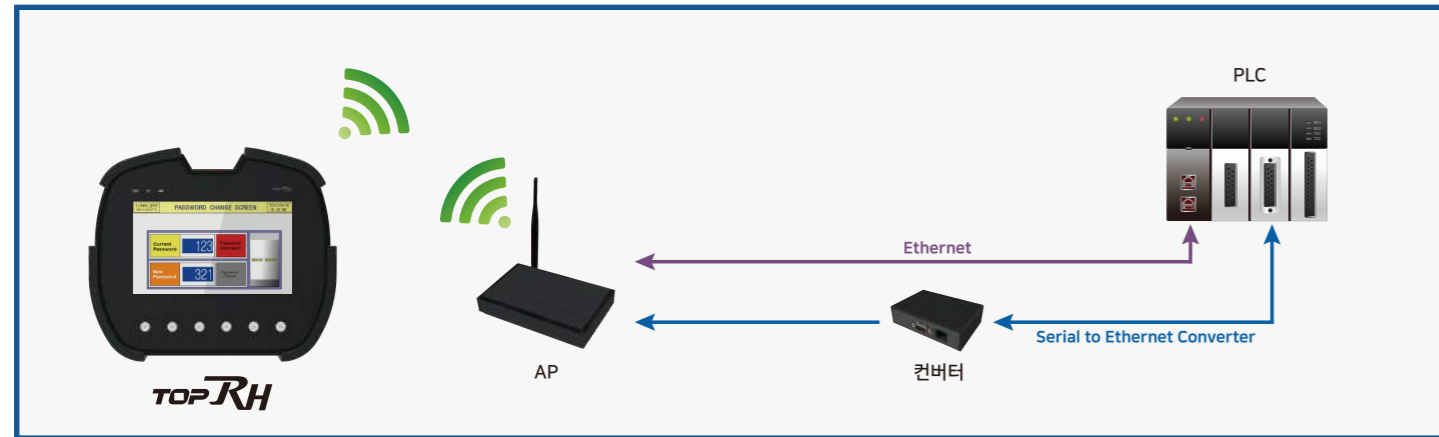
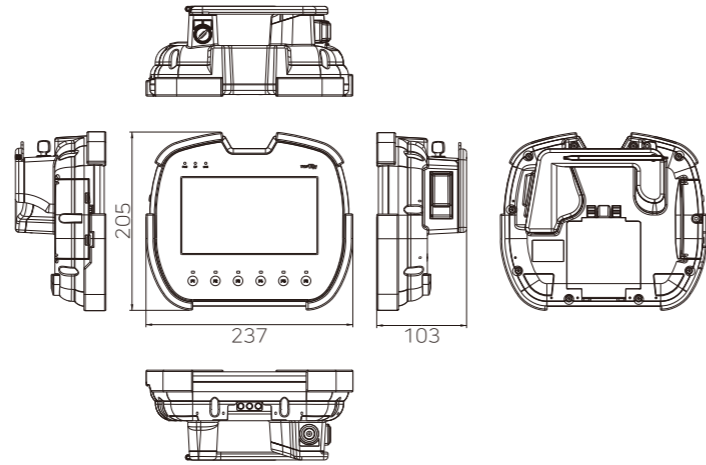
세계 최초 무선 Handy HMI 시리즈의 업그레이드 신제품 7" 1024x600 LCD, 1,677만 컬러 채택으로 넓고 선명한 화면

판매중

고성능의 무선칩 탑재
쿼드 코어를 채택한 최상급의 속도 지원

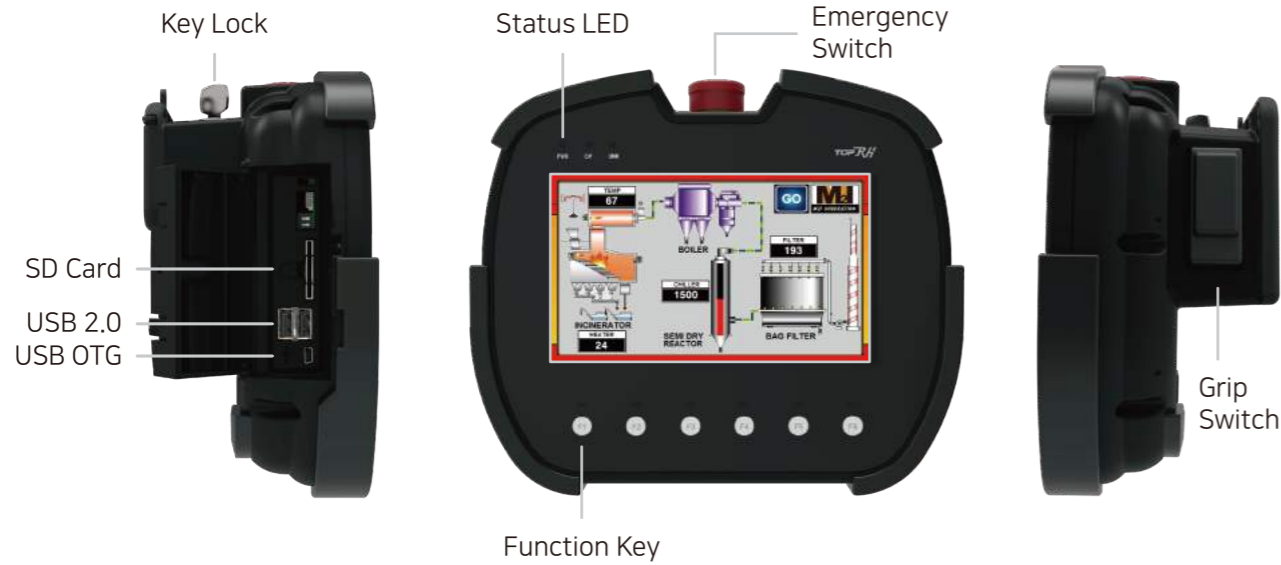
세련되고 인체공학적으로 설계된 그림
KeyLock, 기능키, 터치펜 내장
충전 및 거치 크래들 제공(배터리 별도 충전 가능)
충격 방지 범퍼 장착

원격 감시 제어 VNC 기능 지원(Mobile/Tablet/Laptop)
원격 데이터 교환 FTP 기능 지원
오브젝트의 다층구조(Layer) 지원



Functional	TOPRH0700WD-W	
Display	Display Type	7" TFT Color
	Color	16M Colors
	Display Area(mm)	154.21x85.92
	Resolution(dot)	1024x600
	Brightness Level	10 Level(by software)
	Backlight Type	LED
Touch	Backlight Life	50,000 hours
	Touch Type	Analog resistive film
	Resolution(Cell)	1024x600
Interface	Touch Life	1 million times or more
	Wireless LAN	<ul style="list-style-type: none"> Dual Band - 2.4G: 2.4000GHz ~ 2.4835GHz - 5G: 5.150GHz ~ 5.825GHz WLAN Standard: IEEE808.11b/g/n/ac Operation Range Up to 150meters in open space Security: WEP,TKIP,AES,WPA,WPA2
	USB Host	<ul style="list-style-type: none"> 2 Channel USB 2.0: USB Storage(FAT16/FAT32) and another OTG host channel available, Output 5V/0.5A Support USB Barcode Scanner(Standard Keyboard Protocol)
	USB Device	V2.0 Compatible 1 Channel, Max 5m, OTG(host and device selectable)
	SD Card	1 Channel Micro SD, SDHC/SDXC(MAX 32GB)
	Function Key	6 Position with LED
	Printer Connectivity	Almost USB interface Printers
	Mechanical Switch	Keylock Switch 1A, 3 position enable switch OFF-ON-OFF
	Power Switch	Push-Push power on-off switch built in
	Memory & Others	Screen Memory
Backup Memory		512KB: System buffer(10K Word), Including Alarm/Logging/Recipe
Backup Period		Permanent
Real Time Clock		Built in
Status Indicate		3 LEDs(Power, Operation, Link) Built in
Battery	Rechargeable & Extractable Battery Pack	<ul style="list-style-type: none"> 2S-2P Li-ion 4Cells 7.2V 6700mAh Fast charging - During Operation(Power On): Charging time 4 hours - Non Operational(Power Off): Charging time 3 hours Running time: 6 hours with wireless communication
		Power
Environment	Operation Temperature(°C)	-10 ~ +50
	Storage Temperature(°C)	-20 ~ +60
	Operation Humidity(%RH)	0 ~ 90(No dew)
	Atmosphere	No corrosive gas
	Vibration Endurance	Amplitude: 10≤F<25Hz(2G) X,Y,Z each direction(for 30 minutes)
	Static Electricity Discharge	Connective discharge from EN61000-4-2: ±4kV
	Shock Endurance	10G X,Y,Z each direction(for 3 times)
	Protection Classification	IP65(Front)
Structure	External Dimension(mm)	237x205x103
	Weight(kg)	1.32(Including Battery Pack)
	Cooling System	Natural air circulation
	Case Material	PC(Resistance to flame)

Functional	CHARGING CRADLE	
Power	Voltage Sag	24V, Within 10ms
	Typical Input Voltage	DC 18V~26V, 90W
	Typical Output Voltage	DC 8.4V@8A
	Consumption	80W or less(with Main Body + Extra Battery Pack)
Environment	Status Indicate	3 LEDs(Main Battery Pack, Power, Sub Battery Pack) Built in
	Operation Temperature(°C)	-10 ~ +50
	Storage Temperature(°C)	-20 ~ +60
	Operation Humidity(%RH)	0 ~ 90(No dew)
	Atmosphere	No corrosive gas
	Insulation Resistance	500V DC, 10MΩ
	Surge Voltage	500V(Line-Line)
	Noise Immunity	1000Vp-p(Pulse width 1μs)
Structure	Ground Connection	Class 3(100Ω under)
	External Dimension(mm)	214.5(h)x125(w)x154(d)
	Weight(kg)	0.6
	Cooling System	Natural air circulation
Case Material	PC(Resistance to flame)	



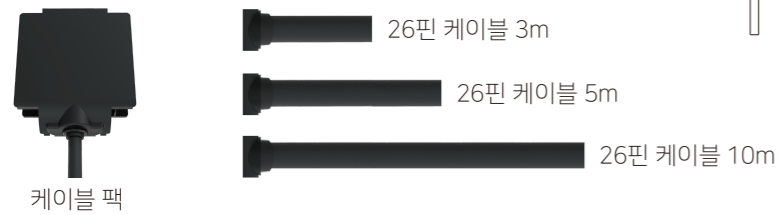
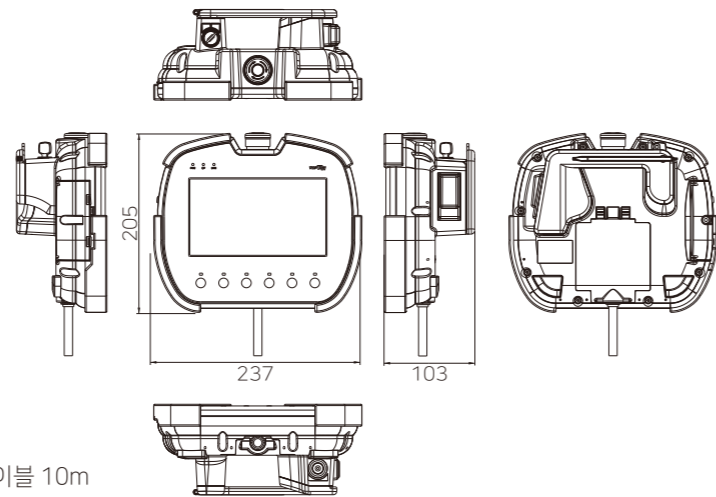
인체공학적으로 설계된 유선 Handy TOP
7" 1024x600 LCD, 1,677만 컬러 채택으로 넓고 선명한 화면

판매중

쿼드 코어를 채택한 최상급의 속도 지원
세련되고 인체공학적으로 설계된 그림
충격 방지 범퍼 장착

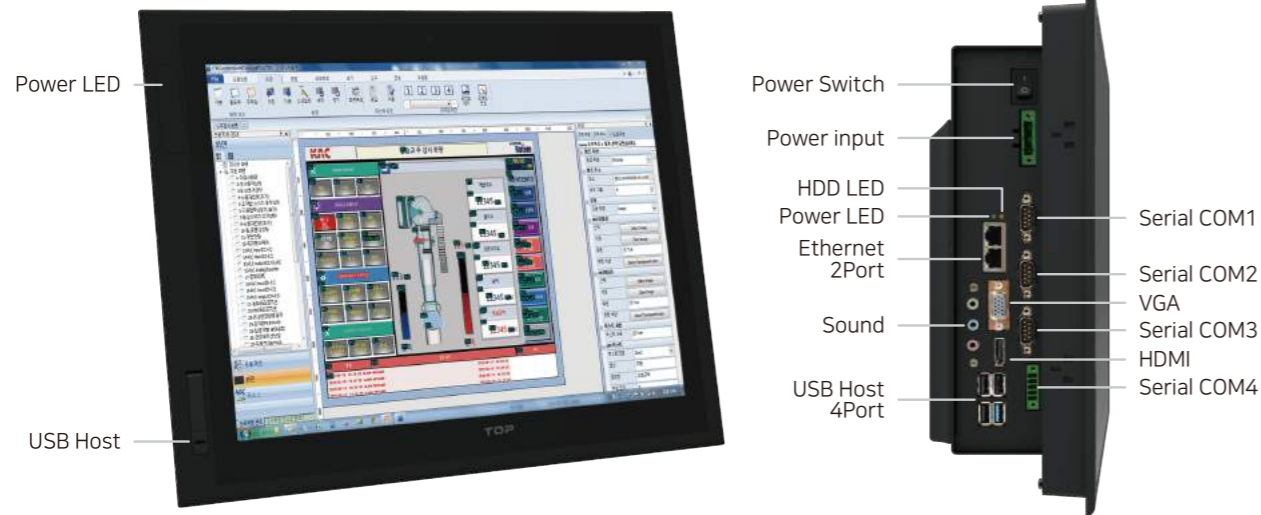
원격 감시 제어 VNC 기능 지원(Mobile/Tablet/Laptop)
원격 데이터 교환 FTP 기능 지원
오브젝트의 다층구조(Layer) 지원

KeyLock, EMG, Grip Switch 옵션화
Function Key, 터치펜 내장



Specifications

Functional	TOPRH0700WD	
Display	Display Type	7" TFT Color
	Color	16M Colors
	Display Area(mm)	154.21x85.92
	Resolution(dot)	1024x600
	Brightness Level	10 Level(by software)
	Backlight Type	LED
Touch	Backlight Life	50,000 hours
	Touch Type	Analog resistive film
	Resolution(Cell)	1024x600
Interface	Touch Life	1 million times or more
	Serial COM1	<ul style="list-style-type: none"> RS-232C, RS-422/485 Asynchronous Data bit: 7/8 bits, Stop bit: 1/2 bits, Parity bit: None/Odd/Even Baud rate: 2400~115.2kbps
	Serial COM2	<ul style="list-style-type: none"> RS-232C, RS-422/485 Asynchronous Data bit: 7/8 bits, Stop bit: 1/2 bits, Parity bit: None/Odd/Even Baud rate: 2400~115.2kbps
	Ethernet Channel	1 Channel IEEE802.3i/IEEE802.3u, 10BASE-T/100BASE-TX
	USB Host	<ul style="list-style-type: none"> 2 Channel USB 2.0: USB Storage(FAT16/FAT32) and another OTG host channel available, Output 5V/0.5A Support USB Barcode Scanner(Standard Keyboard Protocol)
	USB Device	V2.0 Compatible 1 Channel, Max 5m, OTG(host and device selectable)
	SD Card	1 Channel Micro SD, SDHC/SDXC(MAX 32GB)
	Function Key	6 Position with LED
	Printer Connectivity	Almost USB interface Printers
	Mechanical Switch	Emergency Switch 1A-2B, Keylock Switch 1A, 3 Position enable switch OFF-ON-OFF Push-Push switch power on-off switch built in
Memory & Others	Screen Memory	128MB
	Backup Memory	512KB: System buffer(10K Word), Including Alarm/Logging/Recipe
	Backup Period	Permanent
	Real Time Clock	Built in
	Status Indicate	3 LEDs(Power, Operation, Link) Built in
Power	Consumption	20W or less
	Voltage Sag	24V, Within 10ms
	Insulation Resistance	500V DC, 10MΩ
Environment	Surge Voltage	500V(Line-Line)
	Noise Immunity	1000Vp-p(Pulse width 1μs)
	Ground Connection	Class 3(100Ω under)
	Operation Temperature(°C)	-10 ~ +50
	Storage Temperature(°C)	-20 ~ +60
	Operation Humidity(%RH)	0 ~ 90(No dew)
	Atmosphere	No corrosive gas
	Vibration Endurance	Amplitude: 10≤F<25Hz(2G) X,Y,Z each direction(for 30 minutes)
	Static Electricity Discharge	Connective discharge from EN61000-4-2: ±4kV
	Shock Endurance	10G X,Y,Z each direction(for 3 times)
Structure	Protection Classification	IP65(Front)
	External Dimension(mm)	237x205x103
	Weight(kg)	1.1(Except Cable Pack)
	Cooling System	Natural air circulation
	Case Material	PC(Resistance to flame)



알루미늄 Full Body, Fanless 최상의 내구성
최신 Windows Embedded Standard7 채택

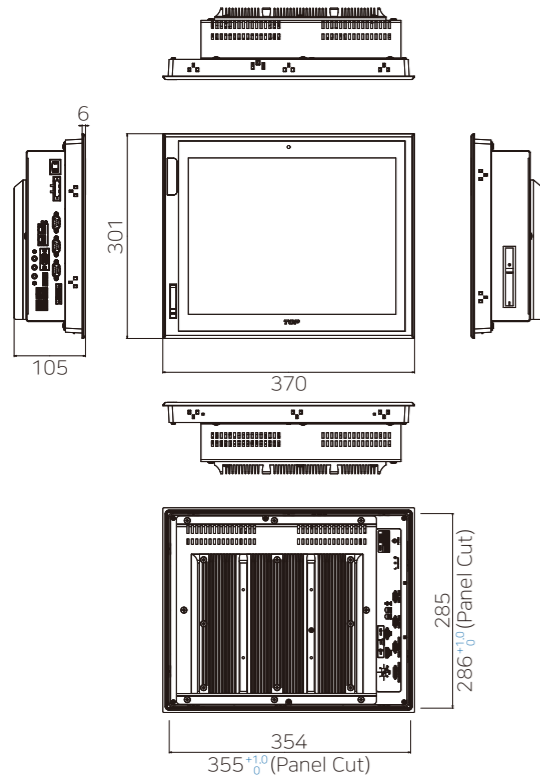
판매중

SSD 저장장치 기본 제공
2.5" 보조 저장장치 랙 제공
고효율 대용량의 방열판 장착
XTOP 15", TOPR 15"와 동일 패널컷

Serial 4-포트 기본 장착
서로 다른 네트워크를 지원하는 2포트의 Ethernet
USB3.0 1포트, USB2.0 4포트(전면 1포트 제공)
HDMI 출력 제공

Specifications

Electrical	Input Voltage	AC100~240V, 50/60Hz
	Power Consumption	Max. 50W
	Voltage Endurance	AC85/170V, Within 10ms
System	Insulation resistance	500V DC, 10MΩ
	CPU	Intel® Celeron Processor J1900
	Base/Burst Frequency	2.0/2.42 GHz
	TDP	10W
	System Memory	DDR3L SO-DIMM 4GB(Max. supports 8GB)
LCD	Main Disk	mSATA SSD 64GB
	BLU	LED
	Resolution	1024x768
	Number of Color	16.7M
Touch	Luminance	450 cd/m
	Touch Type	Analog resistive touch
Ethernet	Touch Life	1 million times or more
	Controller	Intel i210 x 2
	Speed	10/100/1000Mbps
Audio	Connector	RJ-45 x 2
	Audio Codec	Realtek ALC888S
External Display Output	Connector	SPK, Line-in, MIC
	Controller	Intel Gen7 Graphic Engine
	VGA	Max. 2560 x 1600 at 60Hz
	HDMI	HDMI 1.4a for HD video playback, 1080P at 60Hz
USB	Multi-Display	VGA + HDMI, VGA + LVDS, HDMI + LVDS
	Front	USB 2.0 x 1
Options	Side	USB 2.0 x 3, USB 3.0 x 1
	HDD RACK	Support 2.5" SATA2
	O/S	Windows Embedded Standard 7 64Bit KOR Ver.
Environment	USB KEY	SCADA usb key certification
	Operation Temperature(°C)	0 ~ +60
	Storage Temperature(°C)	-20 ~ +65
	Operational humidity(%RH)	95%RH(40°C, Non-Condensing)
	Atmosphere	No corrosive gas
	Vibration Endurance	Amplitude: 10≤F<25Hz(4G) X, Y, Z each direction(for 30 minutes)
	Noise Immunity	1500Vp-p(Pulse width 1μs)
	Electrostatic Discharge	Electrostatic Discharge from EN61000-4-2: ±4kV
	Shock Endurance	10G X, Y, Z each direction(for 3 times)
	Surge Voltage	500V(Line-Line)
Structure	Ground connection	Class 3(Under 100Ω)
	Protection Classification	Front Side: IP65, Rear Side: IP2X
	Dimension(mm)	370(h)x301(v)x105(t)
	Panel Cut(mm)	355(h)x286(v)x1.0~5.0(t)
	Weight(Kg)	6.5
	Cooling System	Natural air circulation
	Case Material	AL(Aluminium)



윈도우즈 기반의 자동화 현장 감시/제어용 소프트웨어
기본 감시/제어뿐만 아니라 자동화에서 필요한 모든 기능이 탑재

판매중

윈도우즈 2000/XP/2003/Vista/2008/7/8/8.1/10 호환
화면 단위 통신 기능으로 더욱 빠른 반응 속도 실현
멀티 프로세서(CPU)에 최적화된 성능 발휘

데이터 베이스를 이용한 상위 시스템과의 손쉬운 연동
태그별 프로그램뿐만 아니라 디바이스별 프로그램 가능
Excel을 이용하여 사용자가 원하는 다양한 형태의 보고서 기록 및 출력 기능 제공

파이, 메타, 막대, 트렌드, 레코드 등 다양하고 편리한 그래프 기능 제공
리포트, 애니메이션, 스케줄러, 태그, 사용자 라이브러리 등 다양한 편의 기능 제공
JAVA 스크립트 완벽 지원
TOP 프로젝트와 SCADA 프로젝트간 상호 자동 변환 기능 제공으로 작업 시간 감소

No.	TOPVIEW 모델명	태그수
1	TOP-VIEW100P	100 tags
2	TOP-VIEW300P	300 tags
3	TOP-VIEW600P	600 tags
4	TOP-VIEW1300P	1300 tags
5	TOP-VIEW2000P	2000 tags
6	TOP-VIEWFULLP	무한 tags

No.	TOPPPC 모델명	Specification(Windows 7 Embedded)
1	TOPPPC1500XA-WN-R8H64	TOPVIEW(X), RAM 8GB, eMMC 64GB
2	TOPPPC1500XA-WF-R8H64	TOPVIEW(O), RAM 8GB, eMMC 64GB
3	TOPPPC1500XA-WN-R8HE256	TOPVIEW(X), RAM 8GB, SSD 256GB
4	TOPPPC1500XA-WF-R8HE256	TOPVIEW(O), RAM 8GB, SSD 256GB



TOPPPC1500XA-WF